

Bushing-type current transformer of the "XCTB" series for power quality applications up to 20 kHz

Description

The bushing-type current transformers for power quality applications ensure high-precision transmission up to 20 kHz and are designed for use in harmonic-loaded 9 kHz networks. The output signals are 5 A as in the conventional bushing-type current transformers. The power specifications also correspond to the usual values. Thus, they can also be used in conventional 50 Hz applications.

Properties

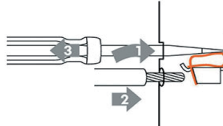
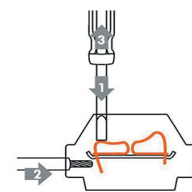
- For power quality applications up to 20 kHz
- Suitable for harmonic loaded networks up to 9 kHz with the basic frequencies of 50 Hz or 60 Hz
- High insulation test voltage up to 6 kV
- Tested lightning surge voltage for 690 V systems according to the IEC 61439-1 / -2
- Safe housing with high flame protection
- Protection against contamination due to optimized housing
- Easy and quick installation
- Safe, time-saving and screwless connection technology for massive and flexible conductors
- Various mounting options such as wall mounting, DIN rail mounting or Quick-Fix are available
- Shock and vibration resistant
- Maintenance-free



Technical data

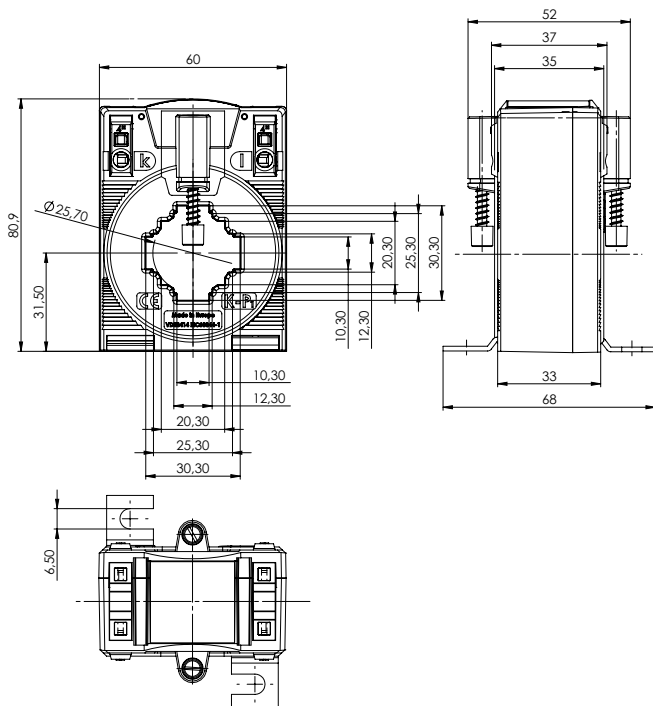
	XCTB 31.35			XCTB 81.35		
Breite / Höhe / Tiefe	60 / 80.9 / 52 mm			120 / 134.66 / 52 mm		
Primärleiter Schiene	30 x 10 mm; 25 x 12 mm; 20 x 20 mm			80 x 10 mm; 60 x 30 mm		
Rundleiter	Ø 25.7 mm			Ø 54.7 mm		
Primärer Bemessungsstrom I_{pr}	100 A ... 750 A			400 A ... 2000 A		
Sekundärer Bemessungsstrom I_{sr}	5 A					
Genauigkeitsklasse	0.2S	0.2	0.5	0.2S	0.2	0.5
Spannungsfestigkeit	6 kV; 50 Hz; 1 min					
Blitzstossspannung	12 kV; 1.2/50 µs					
Nennfrequenz	50 ... 60 Hz					
Bemessungsisolationspegel U_m	1.2 kV					
Bemessungsleistung S_r	1.0 VA; 1.5 VA; 2.5 VA; 5 VA			2.5 VA; 5 VA		
Thermischer Bemessungszeitstrom I_{th}	60 x I_N ; 1 Sek.					
Bemessungsstosstrom I_{dyn}	2.5 x I_{th}					
Oberschwingungsmessung mit Bürde	0.2 VA - Sr pf1					
Isolationsklasse	E (max. 120 °C)					
Messgenauigkeit bis 20 kHz	$\epsilon \leq 2\% \mid \Delta\Phi \leq 2^\circ @ 0.05\text{-}10\text{ Hz}$ $\epsilon \leq 3\% \mid \Delta\Phi \leq 3^\circ @ 10\text{-}20\text{ Hz}$					

Bushing-type current transformer of the "XCTB" series for power quality applications up to 20 kHz

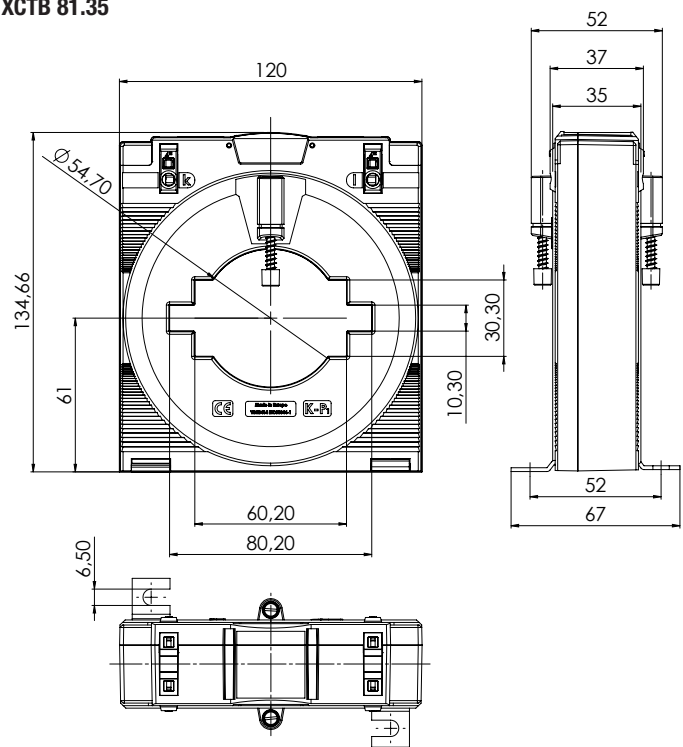
	XCTB 31.35	XCTB 81.35
Housing material	Polycarbonate	
Flammability class	UL94 V-0, self-extinguishing, non-dripping, halogen-free	
Ambient temperature	-5 °C ... +50 °C	
Storage temperature	-25 °C ... +70 °C	
Connectivity technology	Federzugklemme "Cage Clamp" bis max. 4 mm ²  	
Standard accepted	IEC 61869-1; IEC 61869-2; IEC 61439-1; IEC 61439-2	

Dimensions

XCTB 31.35

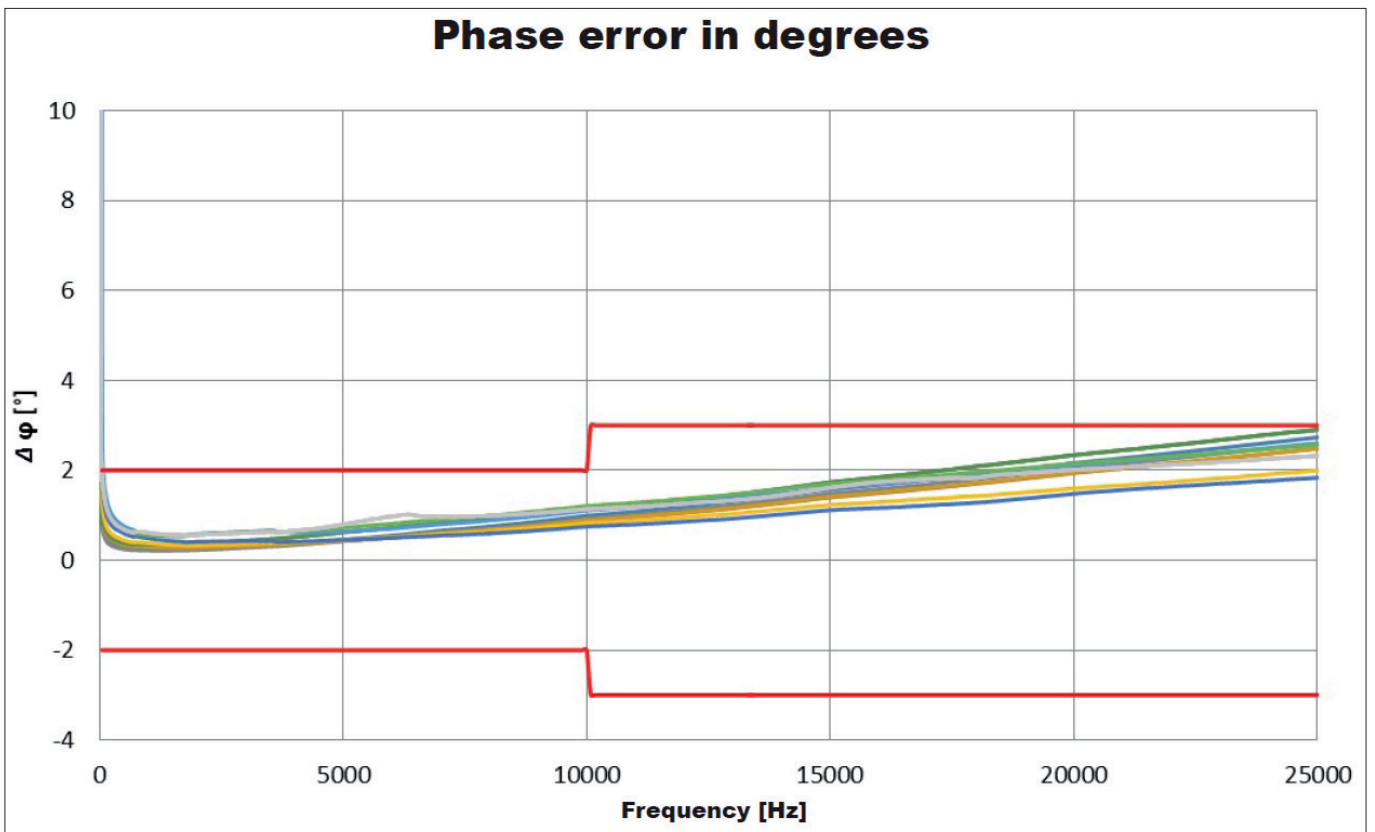
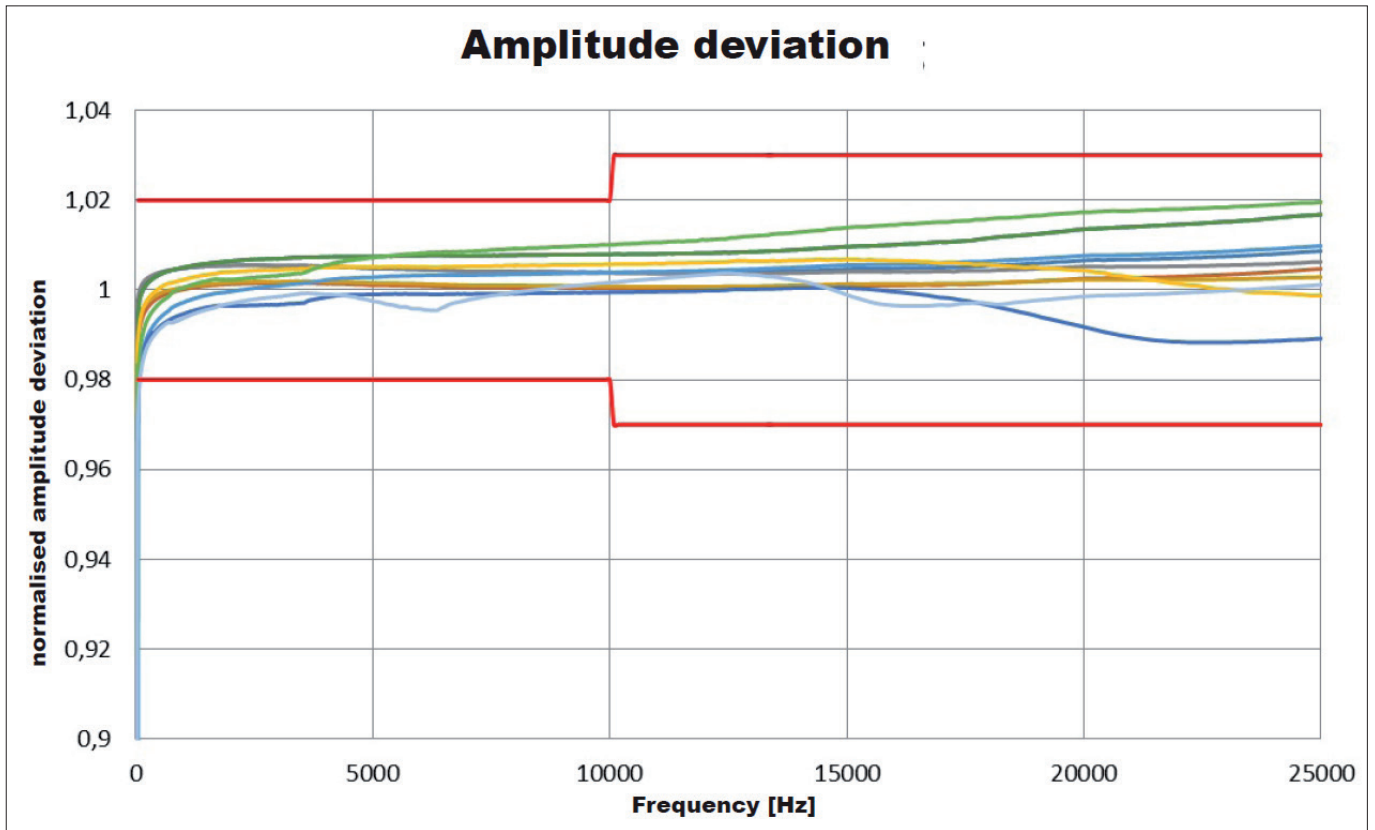


XCTB 81.35



Bushing-type current transformer of the "XCTB" series for power quality applications up to 20 kHz

Typical frequency-response characteristics with ohmic load



Bushing-type current transformer of the "XCTB" series for power quality applications up to 20 kHz

Performance

		XCTB 31.35			XCTB 81.35		
Secondary current		5 A					
Primary current	Rated power	Accuracy class					
		0.2S	0.2	0.5	0.2S	0.2	0.5
		Article-No.	Article-No.	Article-No.	Article-No.	Article-No.	Article-No.
100 A	1.5 VA	–	183658	183640	–	–	–
	2.5 VA	–	–	183666	–	–	–
125 A	1.0 VA	183690	–	–	–	–	–
	1.5 VA	–	183682	183674	–	–	–
150 A	2.5 VA	–	–	183707	–	–	–
	1.5 VA	183731	183723	183715	–	–	–
200 A	2.5 VA	–	–	183749	–	–	–
	1.5 VA	–	183765	183757	–	–	–
250 A	2.5 VA	–	–	183773	–	–	–
	2.5 VA	183806	183799	183781	–	–	–
300 A	5 VA	–	183822	183814	–	–	–
	2.5 VA	183856	183848	183830	–	–	–
400 A	5 VA	183880	183872	183864	–	–	–
	5 VA	183913	183905	183898	–	–	–
500 A	2.5 VA	183947	1183939	183921	–	–	–
	5 VA	183971	183963	183955	–	–	–
600 A	2.5 VA	–	–	–	–	–	–
	5 VA	184002	183997	183989	–	–	–
750 A	2.5 VA	–	–	–	–	–	–
	5 VA	184036	184028	184010	–	–	–
800 A	2.5 VA	–	–	–	184060	184052	184044
	5 VA	–	–	–	184094	184086	184078
1000 A	5 VA	–	–	–	184127	184119	184101
1200 A	5 VA	–	–	–	184151	184143	184135
1250 A	5 VA	–	–	–	184185	184177	184169
1500 A	5 VA	–	–	–	184218	184200	184193
1600 A	5 VA	–	–	–	184242	184234	184226
2000 A	5 VA	–	–	–	184276	184268	184250

Accessories

		XCTB 31.35	XCTB 81.35
Quick-Fix attachment		184284	
Sealing cover		184292	184309
DIN rail mounting kit		184317	–

 **CAMILLE BAUER**

Camille Bauer Metrawatt AG
Aargauerstrasse 7
CH-5610 Wohlen / Switzerland
Telefon: +41 56 618 21 11
Telefax: +41 56 618 21 21
info@camillebauer.com
www.camillebauer.com